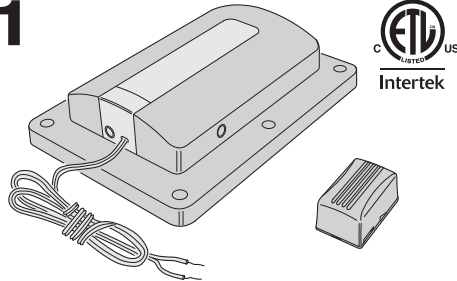


# GD00Z-1



## GARAGE DOOR OPENER REMOTE COMMAND CONTROLLER with TILT SENSOR

Installation Instructions



USA & Canada (800) 421-1587 & (800) 392-0123  
 (760) 438-7000 - Toll Free FAX (800) 468-1340  
 www.linearcorp.com

### 1. PRODUCT DESCRIPTION

The Model GD00Z-1 is a garage door opener Remote Command Controller with built-in Z-Wave® interoperable two-way RF mesh networking technology designed for use with Lowe's Iris® hub. A garage door opener connected to the Controller can be remotely activated using the Iris web interface or Iris mobile applications.

The GD00Z-1 Controller connects to the garage door opener's pushbutton wall console terminals and communicates with the Iris hub using Z-Wave radio signals. A wireless tilt sensor mounts on the garage door and reports the door's position to the Controller. When the Controller receives a command from the Iris hub, it will open or close the garage door.

Anytime the garage door opener is activated remotely by the Controller, a warning indicator flashes and a beeper sounds for five seconds before the door begins to move.

If, due to an obstruction or other cause, the door does not completely open or close when it is activated remotely, the Controller will pause for 30 seconds. After the delay, a second remote activation can be attempted. If the door does not complete its motion on the second attempt, the Controller will suspend operation until the door is operated locally with the opener's pushbutton wall console.

The Controller is powered by a plug-in power supply. The Model TILT 345 tilt sensor is powered by a 2032 lithium battery. If the tilt sensor battery is low, it will be reported to the Iris hub by the Controller. A link button and status light are provided on the Controller for adding or removing the device with the Iris hub.

Four screws and anchors are provided for mounting the Controller. An adjustable controller mounting bracket with hardware is supplied for installing the unit onto the door opener's hanging hardware. The wireless tilt sensor mounts with double sided tape or the two screws supplied.

Z-Wave® is a registered trademark of Sigma Designs Inc. and/or its subsidiaries.

### 2. SAFETY NOTES

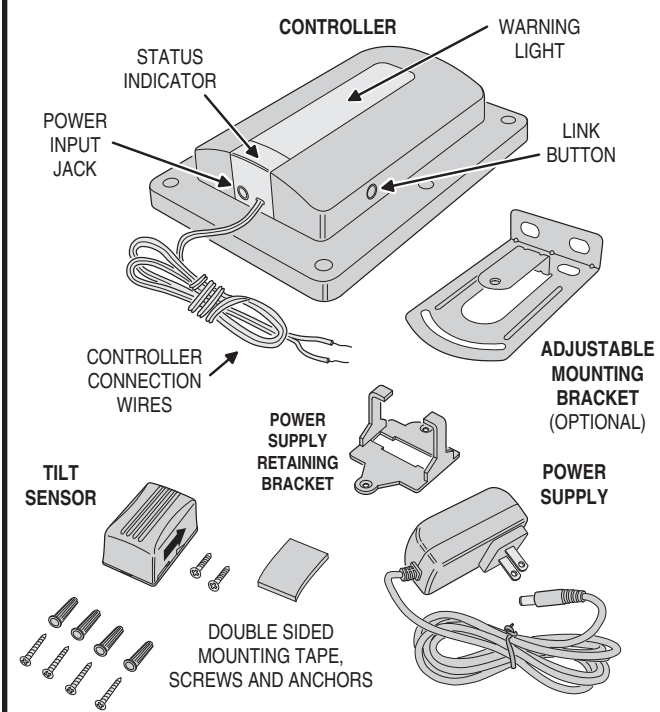
**WARNING**  
 This operator system is equipped with an unattended operation feature. This door could move unexpectedly. NO ONE SHOULD CROSS THE PATH OF A MOVING DOOR!

**WARNING**  
 This system can be installed on sectional type (roll up) doors only per (UL-325). DO NOT INSTALL ON ONE-PIECE DOORS!

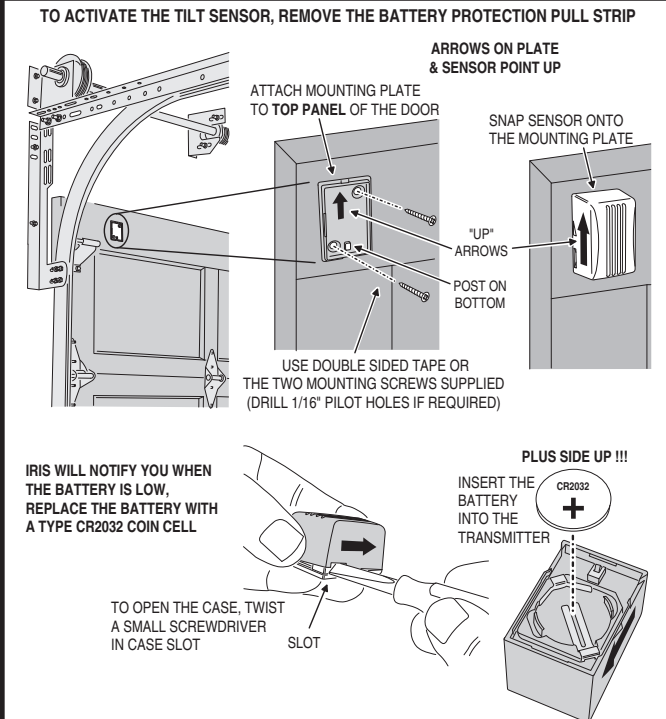
**WARNING**  
 The Remote Command Controller must be mounted in the garage, in sight of the garage door, where the visual and audible movement warning indicators can be clearly seen and heard.

**WARNING**  
 Do not install the Remote Command Controller on garage door operators manufactured prior to 1993 (models without an operational safety beam entrapment detection system).

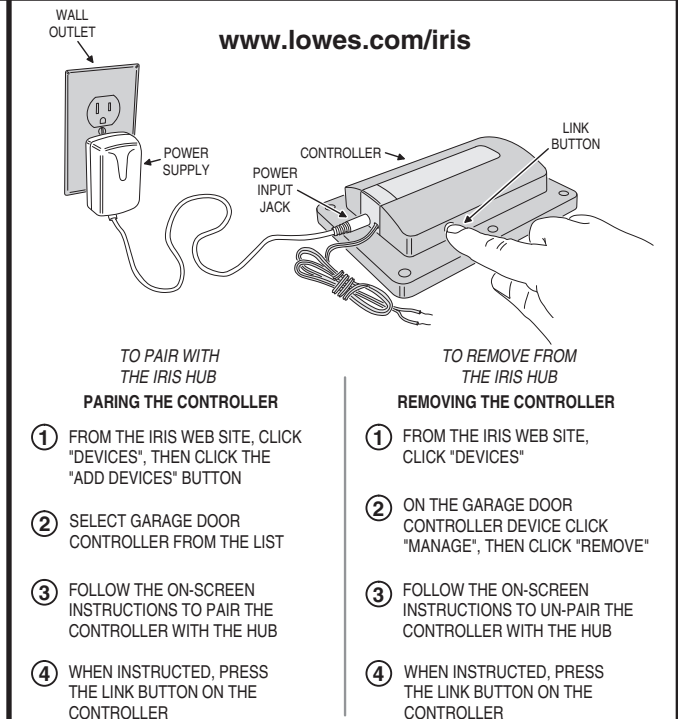
### 3. PRODUCT FEATURES



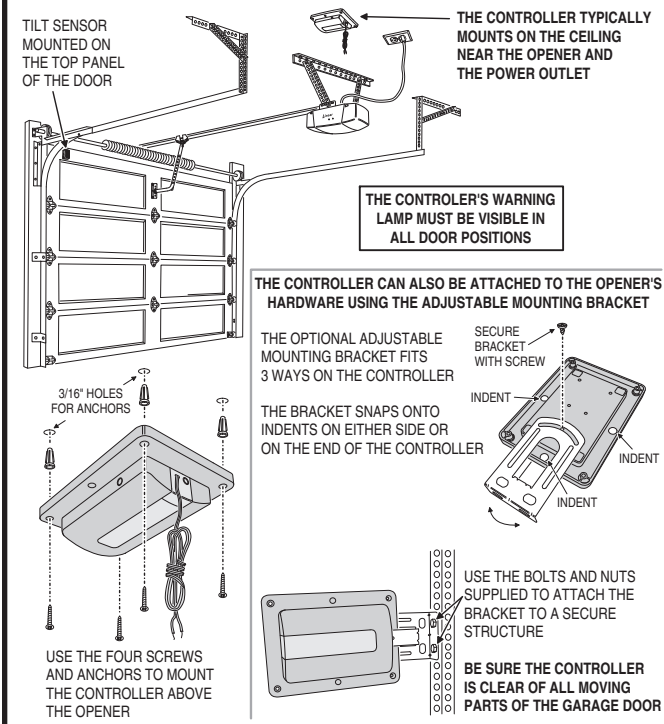
### 4. TILT SENSOR INSTALLATION AND BATTERY



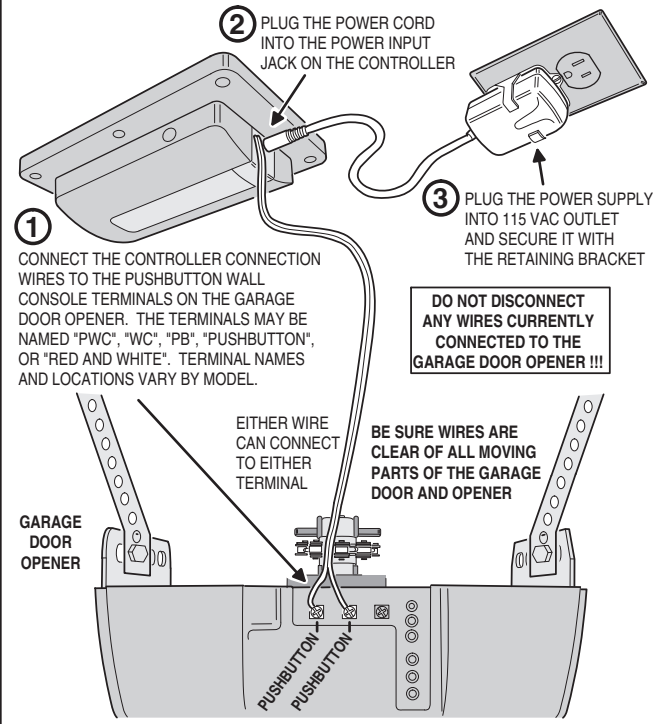
### 5. PAIRING WITH IRIS



### 6. CONTROLLER MOUNTING

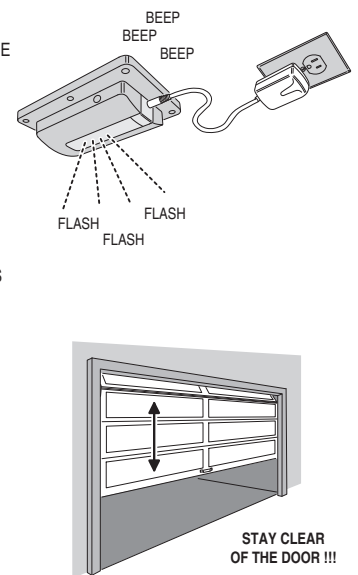


### 7. CONTROLLER CONNECTIONS



### 8. SYSTEM OPERATION

- USE THE IRIS WEB SITE AND MOBILE APPS TO CONTROL YOUR GARAGE DOOR, VIEW STATUS, AND SET CUSTOM RULES
- THE CONTROLLER WILL BEEP AND FLASH FOR FIVE SECONDS BEFORE THE DOOR MOVES
- THE CONTROLLER WILL ACTIVATE THE DOOR OPENER AND OPEN OR CLOSE THE DOOR
- THE IRIS WEB PAGE OR MOBILE APP WILL SHOW THE NEW STATUS OF THE DOOR AFTER THE DOOR COMPLETES ITS CYCLE



### 9. OPERATION NOTES

- The warning light will flash and the warning beeper will sound five seconds before the door opener is activated. **STAY CLEAR OF THE DOOR, AND DOOR OPENER. THEY ARE ABOUT TO MOVE!**
- If the door does not completely open or close after remote activation, the Controller will allow user to try to operate the door one more time. If the second attempt fails, the Controller will go into lock-out mode and blink the status indicator. See Note #3.
- If the status indicator is blinking, the Controller is in lock-out mode and will not accept remote commands. Activate the door from the pushbutton wall console then check that the status indicator stops blinking.

NOTICE TO USERS IN CALIFORNIA - CR COIN CELL LITHIUM BATTERY INFORMATION:  
 THIS PRODUCT CONTAINS A CR COIN CELL LITHIUM BATTERY WHICH CONTAINS PERCHLORATE MATERIAL - SPECIAL HANDLING MAY APPLY - SEE [www.dtsc.ca.gov/hazardouswaste/perchlorate](http://www.dtsc.ca.gov/hazardouswaste/perchlorate)

KEEP AWAY FROM SMALL CHILDREN. IF BATTERY IS SWALLOWED, PROMPTLY SEE A DOCTOR. DO NOT TRY TO RECHARGE THIS BATTERY. DISPOSAL OF USED BATTERIES MUST BE MADE IN ACCORDANCE WITH THE WASTE RECOVERY AND RECYCLING REGULATIONS IN YOUR AREA.

Changes or modifications not expressly approved by the manufacturer could void the user's authority to operate the equipment.

Les changements ou modifications non approuvés expressément par la partie responsable de la conformité pourrait annuler l'autorité de l'utilisateur à faire fonctionner l'équipement.

### 10. TROUBLESHOOTING

PROBLEM	POSSIBLE CAUSE	CORRECTIVE ACTION
The Controller does not flash or beep when activated.	No power to the Controller.	1. Make sure the power supply is plugged in securely to a live outlet. 2. Make sure the power cord is plugged in securely to the Controller.
The Controller flashes and beeps when activated but the door does not move.	Obstruction blocking the door or incorrect wiring.	1. Make sure that there are no obstacles preventing the door from moving. 2. Make sure that the Controller's connection wires are connected to the proper terminals on the garage door opener. Trace the wires from the garage door opener's pushbutton wall console to the door opener. This is where the Controller's connection wires should be connected to.
Garage door opens or closes, but the status does not change on the Iris website or mobile app.	The tilt sensor signal is not being received by the Controller.	1. Make sure the tilt sensor is mounted correctly on the garage door, with the arrow pointing up. 2. Make sure the battery pull tab has been removed from the tilt sensor. 3. Replace the battery in the tilt sensor.

### LINEAR LIMITED RETAIL WARRANTY

Linear LLC (the Company) warrants to the original purchaser that products delivered hereunder will be free of defects in materials and workmanship for a period of one (1) year from the date of purchase.

The Company within said period shall at its option, either repair or replace free of charge, any product or part thereof found, upon the Company's inspection, to be so defective, and will return the repaired or replaced product to the purchaser at Company's expense.

All products returned for warranty service require a Return Product Authorization Number (RPA#). For warranty service, shipping instructions, and an RPA#, contact Linear Technical Services at 1-855-546-3351. Devices must be sent to the Company at owner's expense and be accompanied with statement of defect and proof of purchase.

This warranty is conditioned on the following:

- The product must be notified within one year of purchase and have been given the opportunity of inspection by return of any alleged defective product free and clear of all liens and encumbrances to the Company or its distributor; and
- The product must not have been abused, misused or improperly maintained and/or repaired during such period; and
- Such defect has not been caused by corrosion or exposure to other than ordinary wear and tear.

THE COMPANY MAKES NO OTHER WARRANTY OR REPRESENTATION OF ANY KIND WHATSOEVER INCLUDING ANY WARRANTY OF MERCHANTABILITY OR FITNESS FOR A PARTICULAR PURPOSE ARE HEREBY DISCLAIMED.

The Company's maximum liability hereunder is limited to the purchased price of the product. In no event shall the Company be liable for any consequential, indirect, incidental or special damages of any nature arising from the sale or use of the product, whether based in contract, tort, strict liability or otherwise.

Note: Some states do not allow limitations on incidental or consequential damages or how long an implied warranty lasts, so that the above limitations may not fully apply. This warranty gives specific legal rights and you may also have other rights which may vary from state to state.

This device complies with FCC Part 15 and Canada Rules and Regulations. Operation is subject to the following two conditions: (1) This device may not cause harmful interference and (2) this device must accept any interference received, including interference that may cause undesired operation.

Le présent appareil est conforme aux CNR d'Industrie Canada applicables aux appareils radio exempts de licence. L'exploitation est autorisée aux deux conditions suivantes: (1) l'appareil ne doit pas produire de brouillage, et (2) l'utilisateur de l'appareil doit accepter tout brouillage radioélectrique subi, même si le brouillage est susceptible d'en compromettre le fonctionnement.